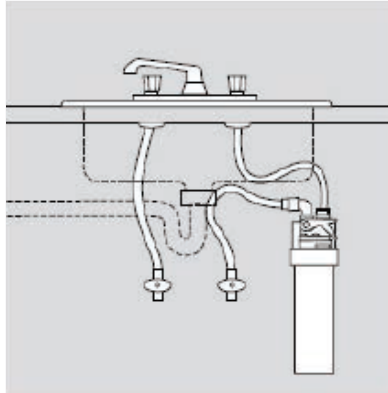


# EF SERIES - FULL FLOW FILTRATION

**ADD**  
to ANY faucet in your home, and enjoy clean, fresh water instantly!

Pentair® Everpure® have long been the preferred water filtration systems in restaurants, and they're available for your very own home as well. Simply connect the system to your kitchen faucet — no additional faucet installation is necessary.



- Uses your existing kitchen faucet
- Connects to the cold water line in kitchen or outdoor grill area
- Not only for drinking, but for prepping and cooking to serve your family
- No separate point of use faucet needed
- No extra hole to be drilled in the counter
- Ideal for anywhere in your home

**EVERPURE**  
PENTAIR

## THREE VERSIONS TO CHOOSE FROM:



**EF-1500**

**1500**  
gallons

CAPACITY  
5,600 LITERS

The smaller canister size is ideal for any application where space is limited.

**\$390**



Prep Sink



Wet Bar



Ice Maker



Bathroom



Coffee Maker



**EF-3000**

**3000**  
gallons

CAPACITY  
11,356 LITERS

The EF-3000 drinking water system works well throughout your entire home.

**\$410**



Kitchen + Bath



Prep Sink



Wet Bar



Ice Maker



Coffee Maker



**EF-6000**

**6000**  
gallons

CAPACITY  
22,712 LITERS

The high capacity of the EF-6000 is perfect for family kitchen or any high capacity area.

**\$450**



Kitchen + Bath



Pot Filler



Wet Bar



Ice Maker



Coffee Maker